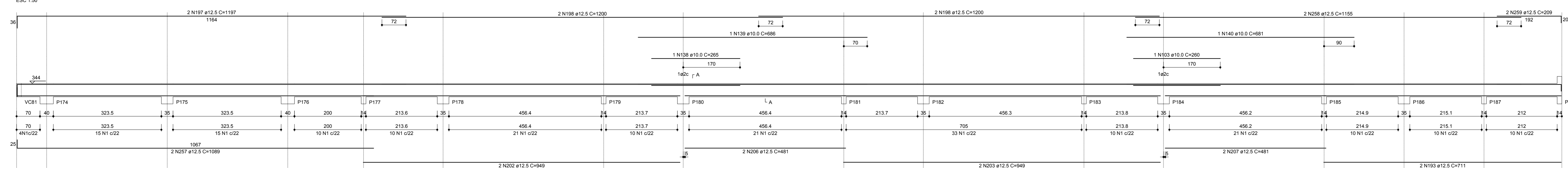
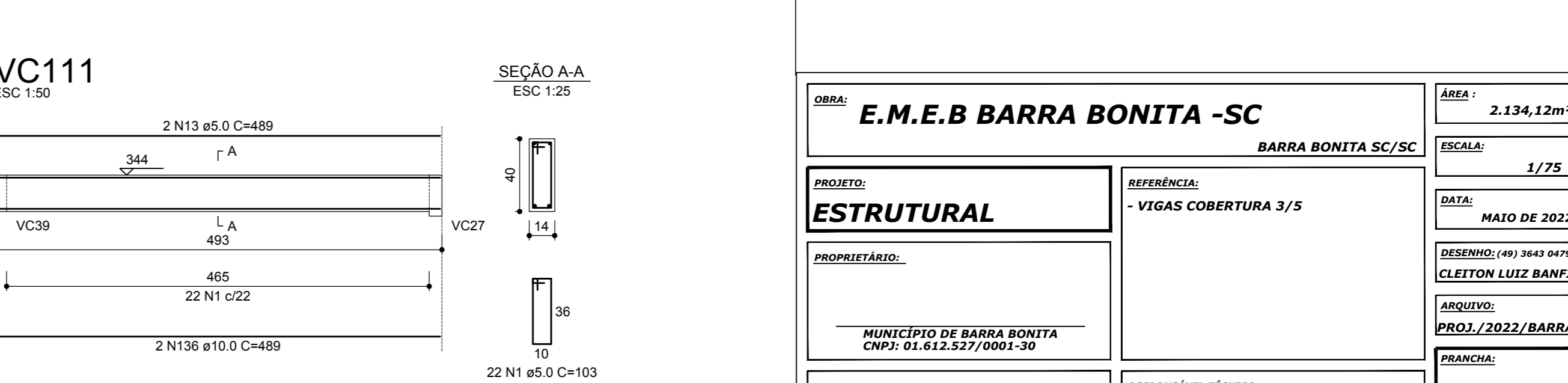
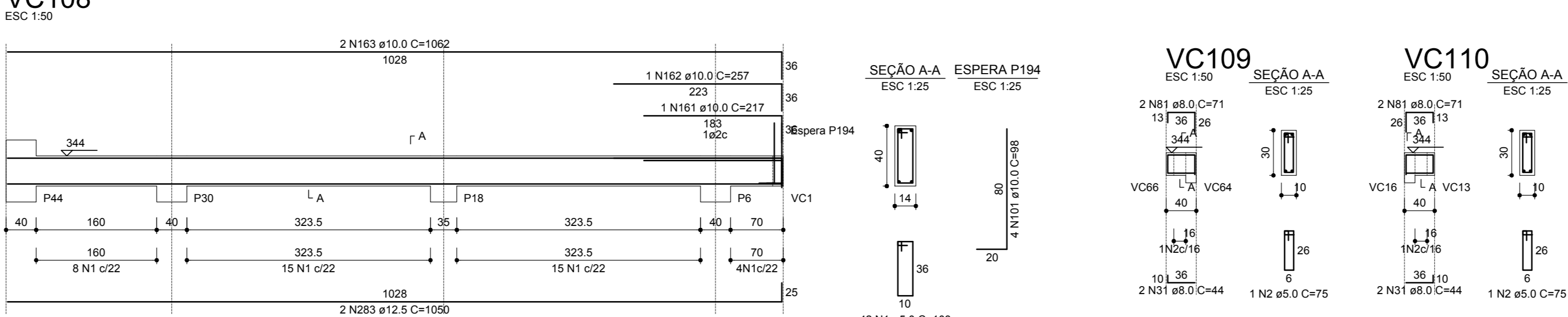
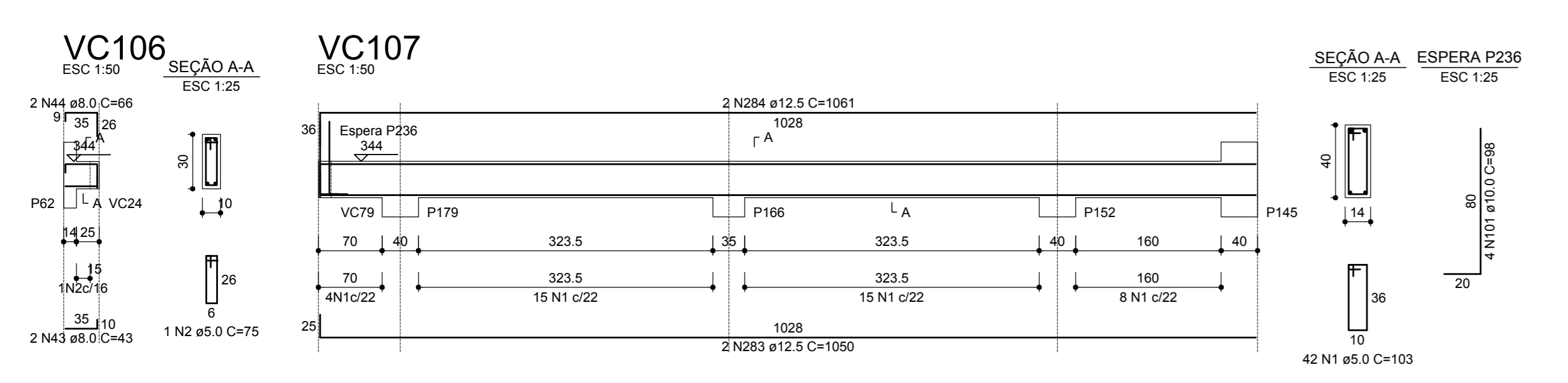
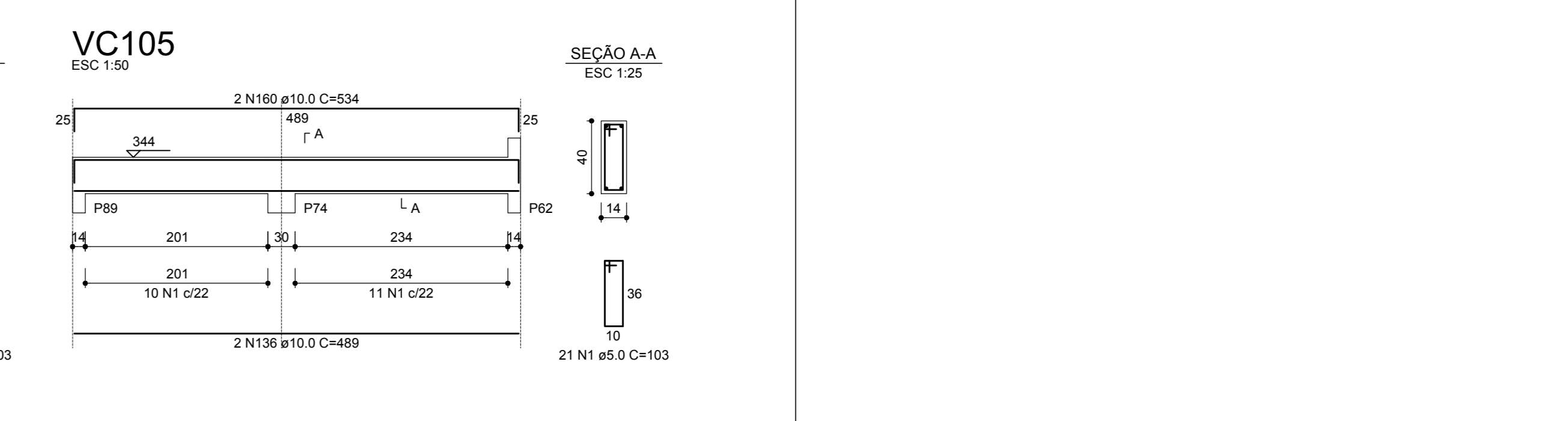
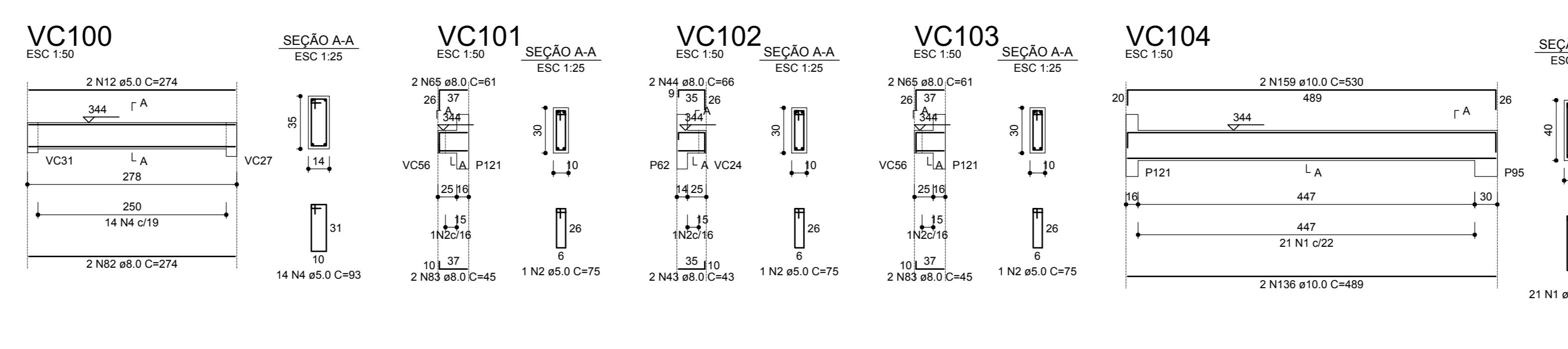
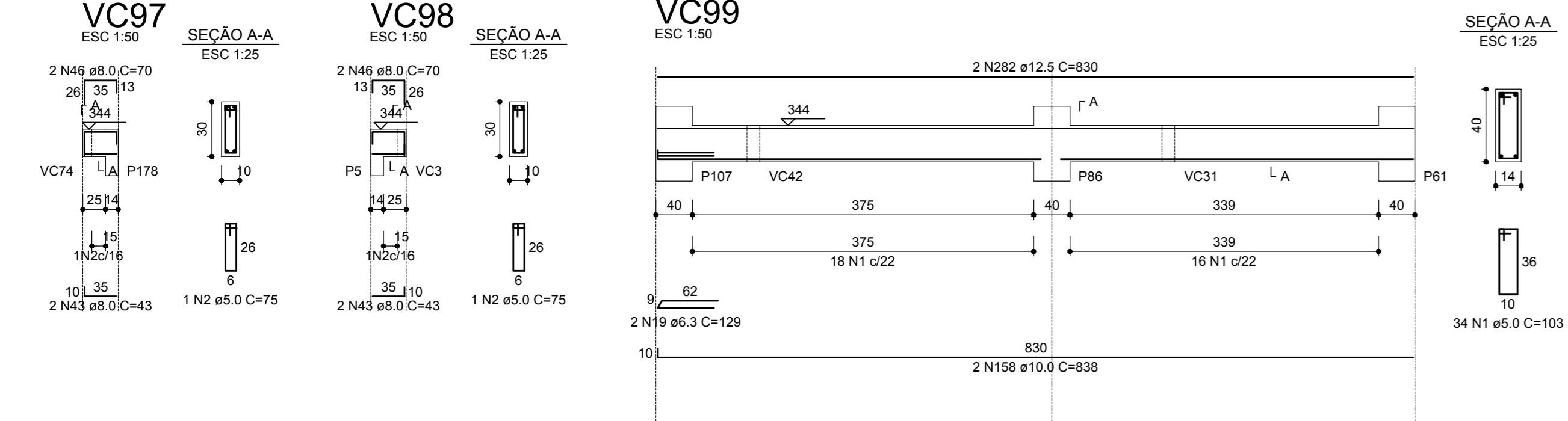
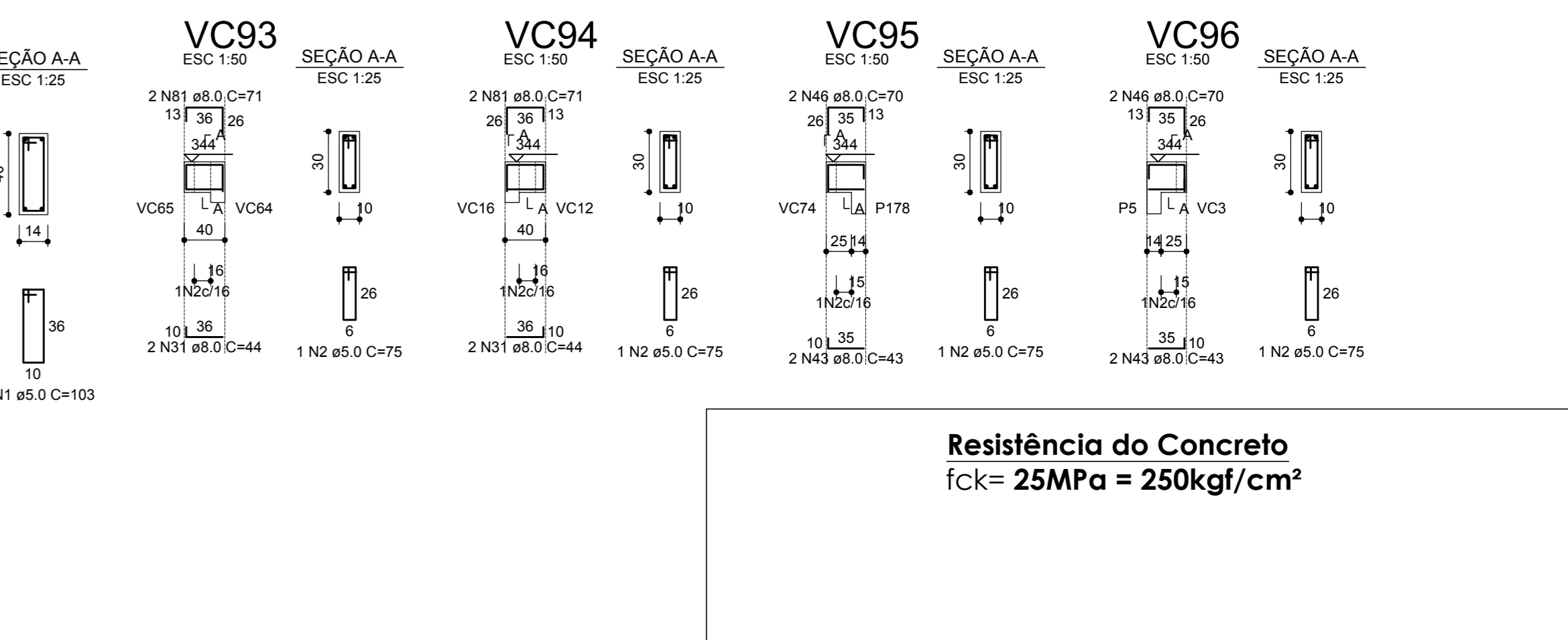
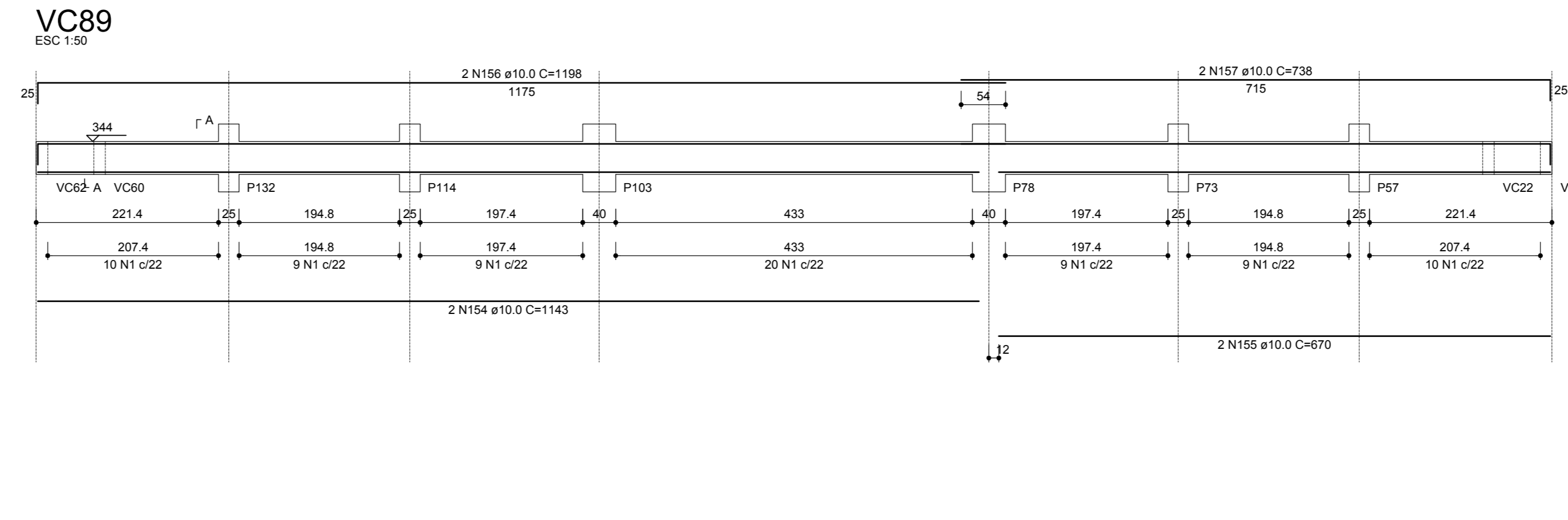
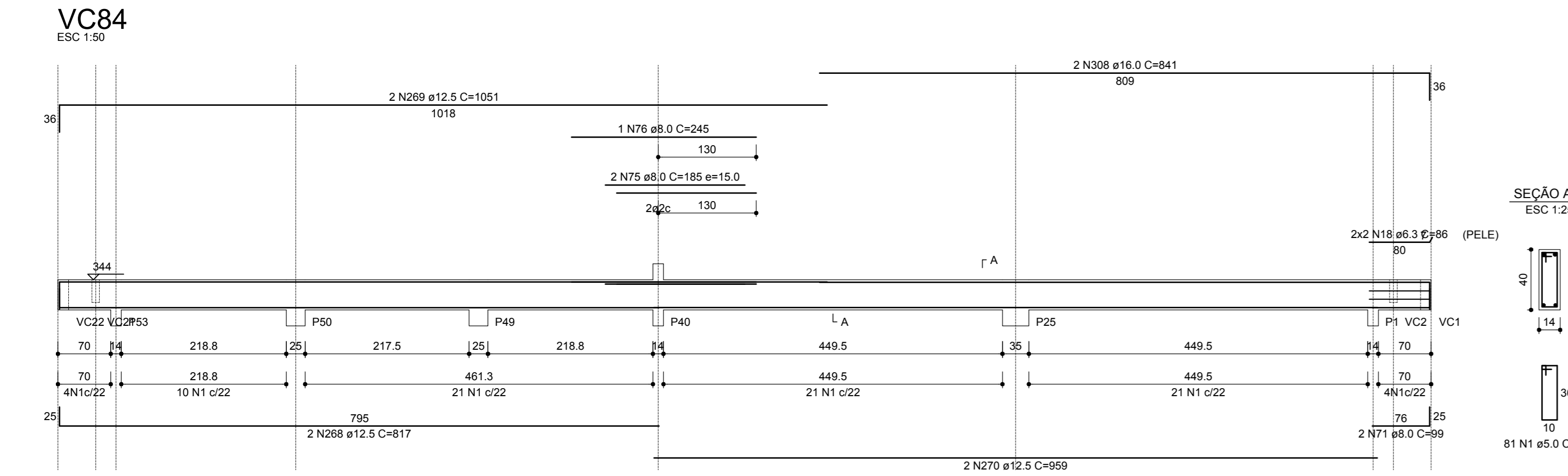
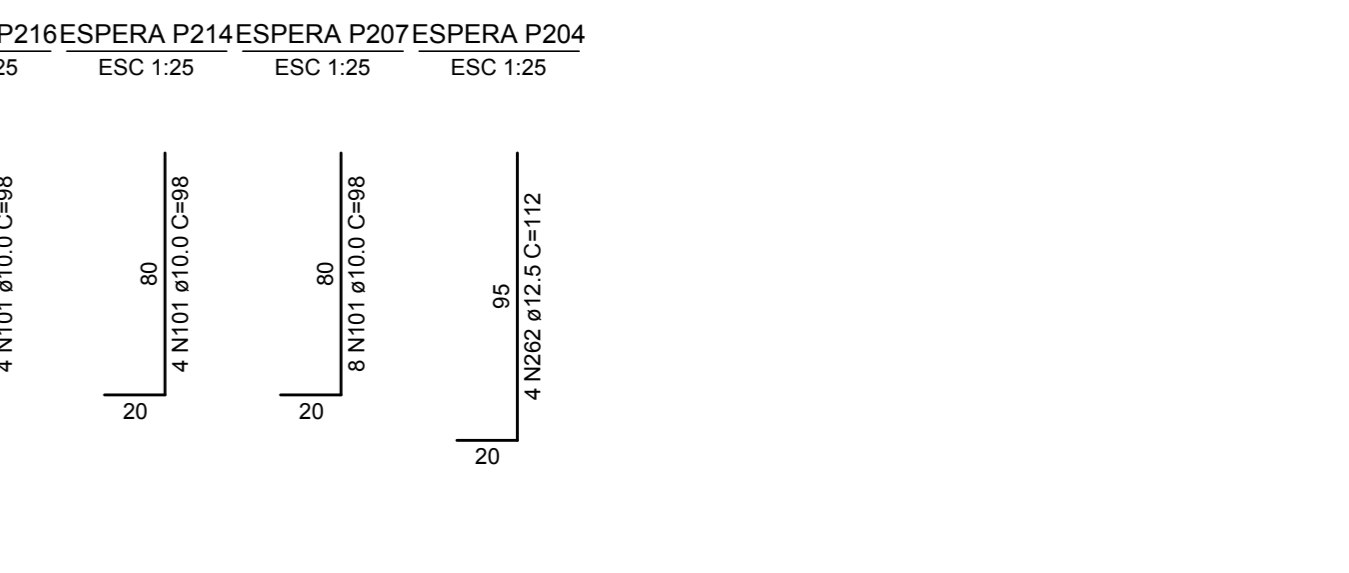
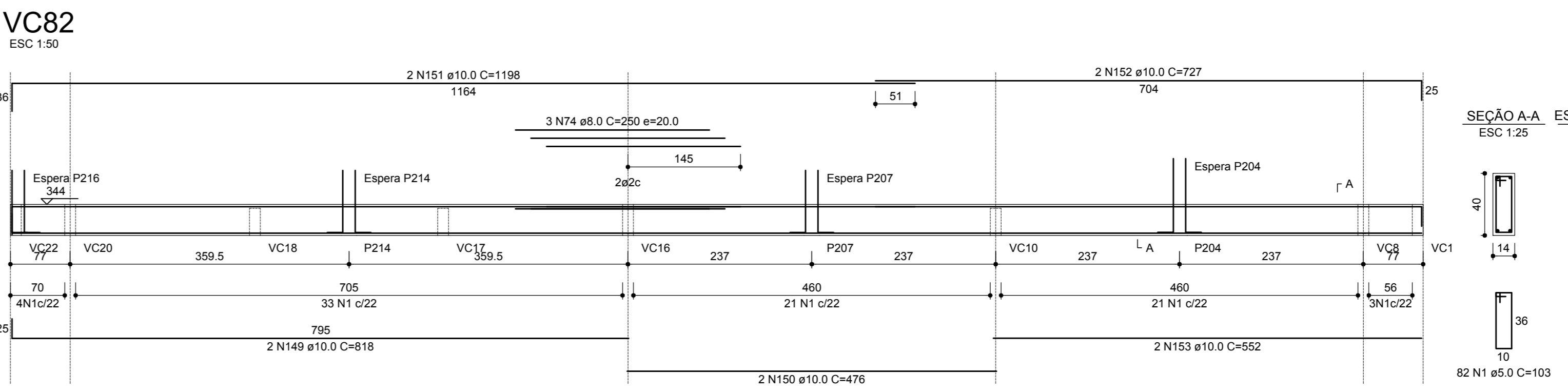
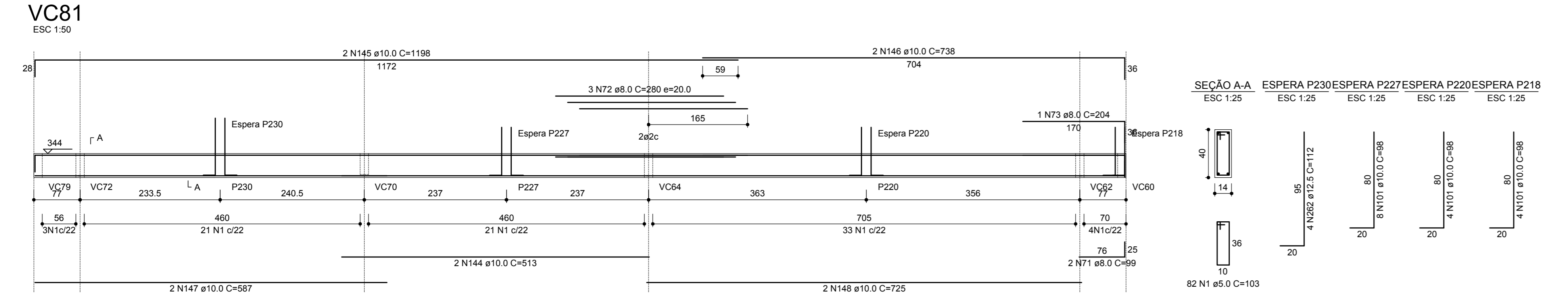
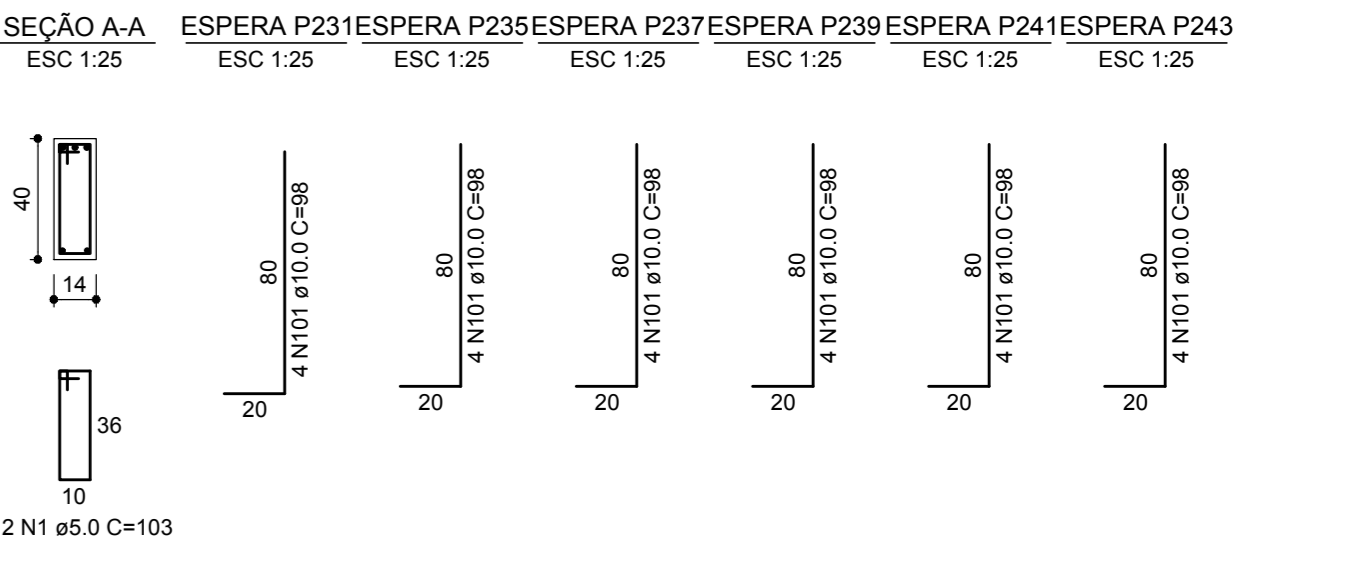
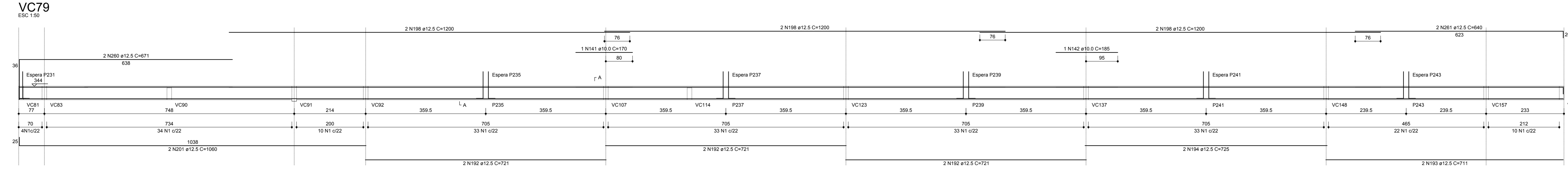
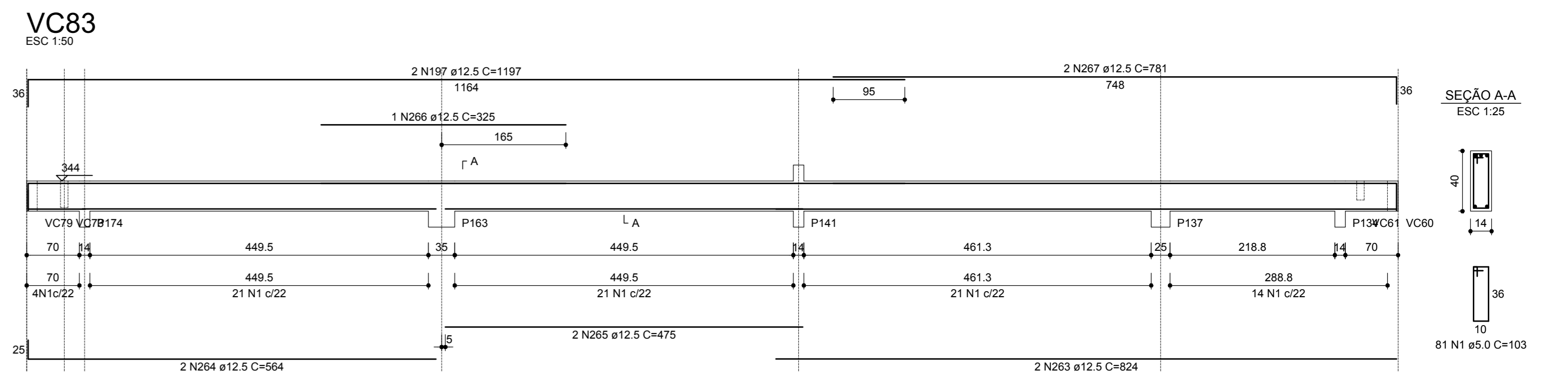
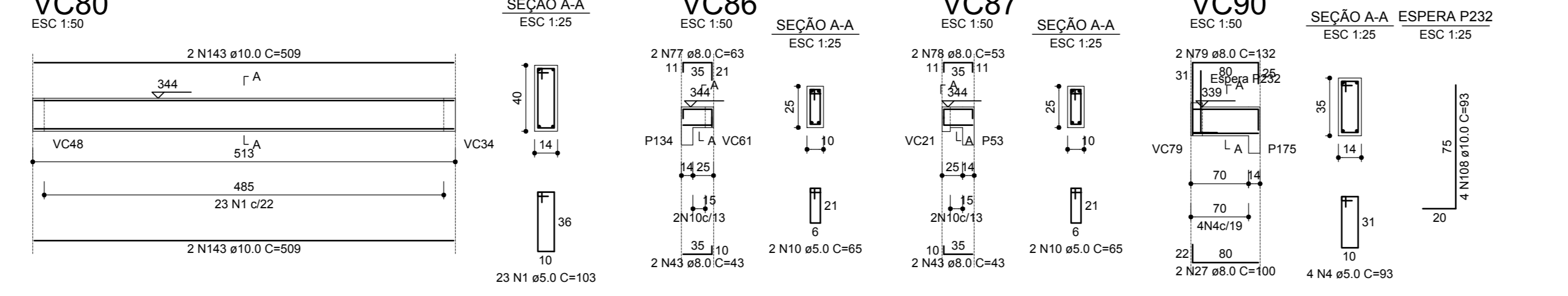
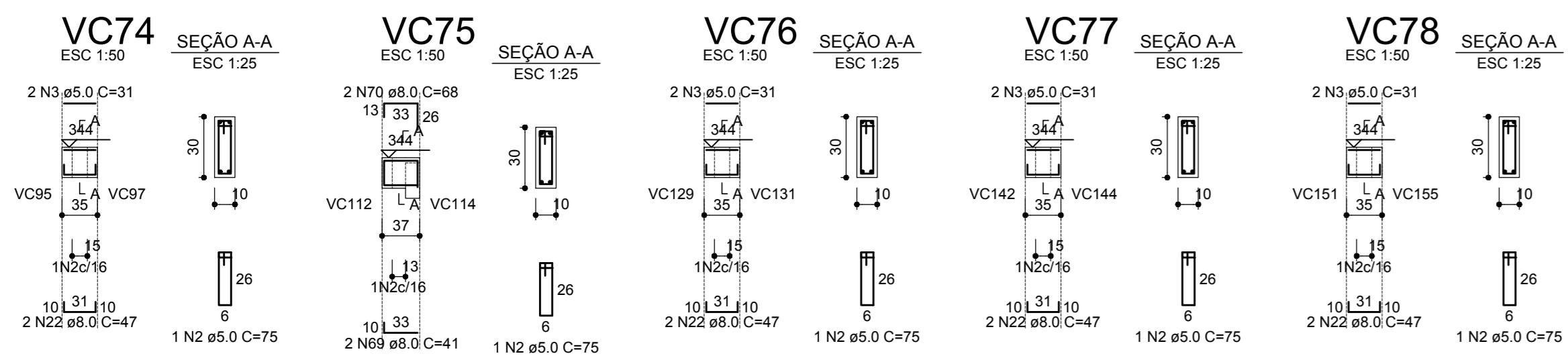
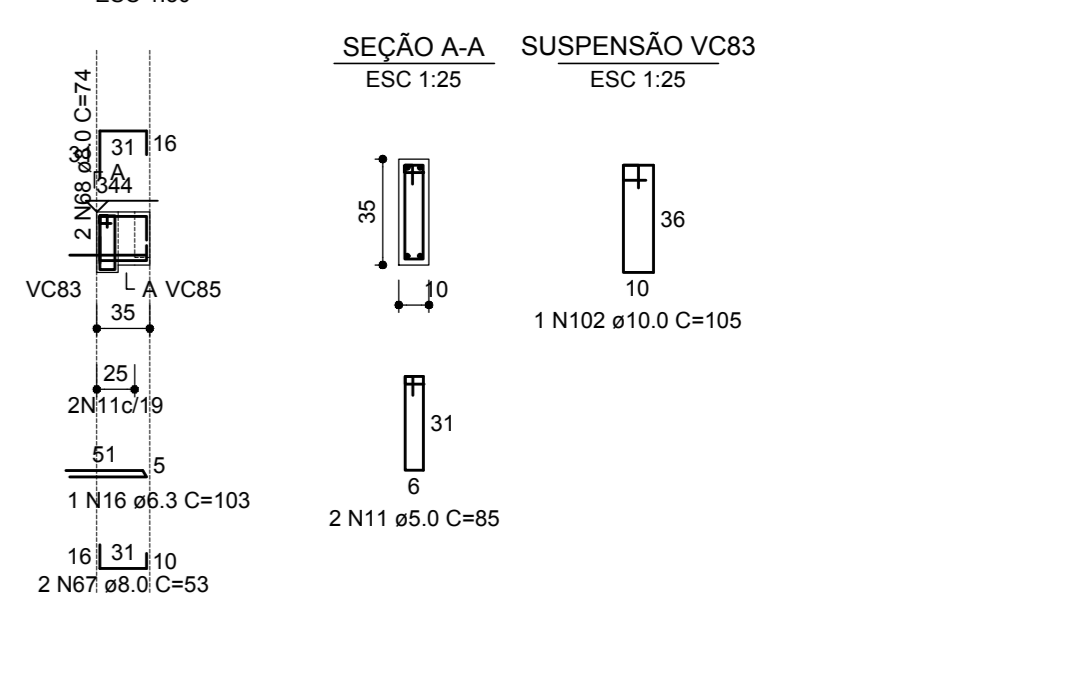


**VIGAS COBERTURA 3/5**

VC72



VC73



Resistência do Concreto  
f<sub>ck</sub> = 25MPa = 250kgf/cm<sup>2</sup>

Project information including company name (E.M.E.B BARRA BONITA -SC), project name (VIGAS COBERTURA 3/5), date (MAIO DE 2022), and logos for URBANE and E17.